

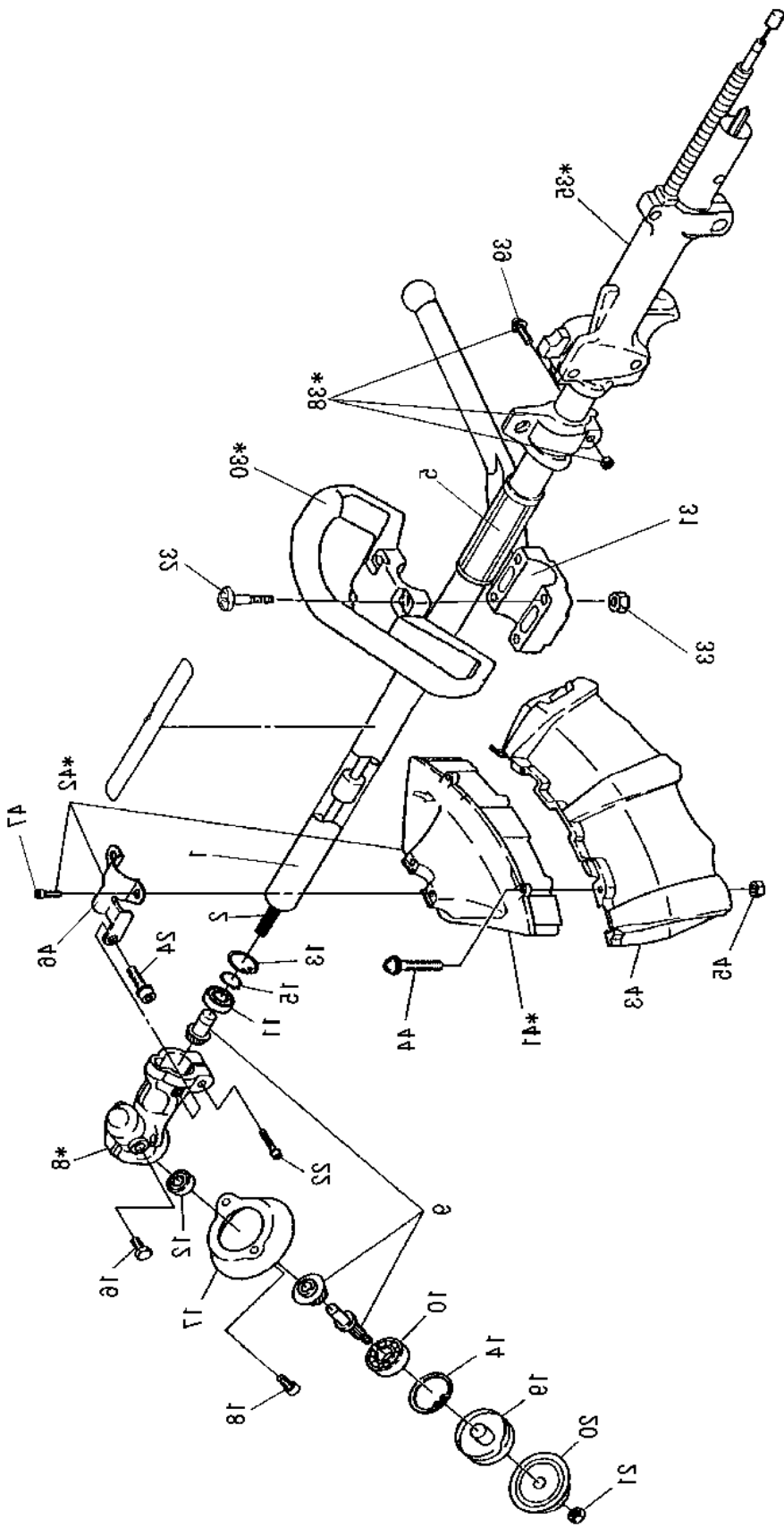


PARTS CATALOG

Model
ELAN 25P
(NB025A CE SPEC.)
WORMS

MACHINE BODY,
CONTROL LEVER ASSY,
ENGINE BODY,
CARBURETOR & AIR CLEANER,
STANDARD ACCESSORY ,

MACHINE BODY



MORW2 ETVNS2P.

ELAN 25P (NB025A) PARTS LIST

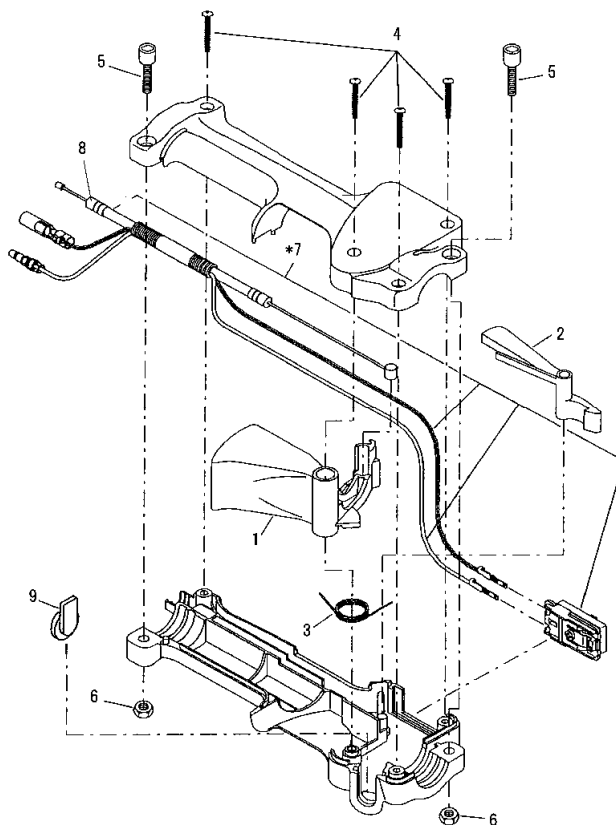
CE SPEC.

MACHINE BODY

| REF No. | PARTS No. | PARTS NAME | Q'TY | REMARKS |
|---------|--------------|---------------------------|------|-----------------|
| 1 | 6211026000 | PIPE,SHAFT COMPL | 1 | |
| 2 | 6191500401 | SHAFT | 1 | |
| | | | | |
| 5 | 6271501500 | SPACER | 1 | |
| | | | | |
| *8 | 6243006000-1 | CASE,GEAR ASSY | 1 | Incl. 9~22 |
| 9 | 6243008001 | SHAFT,CUTTER SET | 1 | |
| 10 | 0600109910 | BALL BEARING | 1 | # 6000DDU |
| 11 | 6212500300 | BALL BEARING | 1 | # 609ZZ |
| 12 | 0600069990 | BALL BEARING | 1 | # 626ZZ |
| 13 | 0031424000 | SNAPRING,INNER | 1 | φ 24 |
| 14 | 0031426000 | SNAPRING,INNER | 1 | φ 26 |
| 15 | 6193006120 | SNAPRING,OUTER | 1 | φ 9 |
| 16 | 6253011012 | BOLT,OIL | 1 | M6*8 W |
| 17 | 6218500200-1 | GUARD | 1 | |
| 18 | 0119059780 | SOCKET HEAD BOLT | 2 | M5*12 W,SW |
| 19 | 6218501601-1 | WASHER,RECEIVE | 1 | |
| 20 | 6218003000 | WASHER,CLAMP COMPL | 1 | |
| 21 | 6258505001 | NUT | 1 | M8*1.25 left SW |
| 22 | 0119059890 | SOCKET HEAD BOLT | 1 | M5*25 SW |
| | | | | |
| 24 | 0119059490 | SOCKET HEAD BOLT | 1 | M5*14 W,SW |
| | | | | |
| *30 | 6214016000 | HANDLE SET | 1 | Incl.31~33 |
| 31 | 6214016020 | HOLDER,HANDLE | 1 | |
| 32 | 6214016030 | SCREW | 4 | M5*25 |
| 33 | 0022705000 | NUT | 4 | M5 |
| | | | | |
| *35 | 6215028000 | CONTROL LEVER ASSY | 1 | |
| | | | | |
| | | | | |
| *38 | 6254019000-2 | HANGER ASSY | 1 | Incl. 39 |
| 39 | 0043605200 | SCREW ASSEMBLY | 1 | M5*20 W,SW |
| | | | | |
| *41 | 6258060001 | PROTECTOR ASSY | 1 | Incl. 42~47 |
| *42 | 6258061001 | PROTECTOR ASSY | 1 | Incl. 46~47 |
| 43 | 6258053001 | PROTECTOR COMPL | 1 | |
| 44 | 0043605400 | SCREW ASSEMBLY | 2 | M5*40 W,SW |
| 45 | 0021805000 | NUT | 2 | M5 |
| 46 | 6258508200 | CLAMP,PROTECTOR | 1 | |
| 47 | 0011706300 | BOLT ASSEMBLY,DROSSRECESS | 2 | M6*30 W,SW |

CONTROL LEVER ASSY (AU)

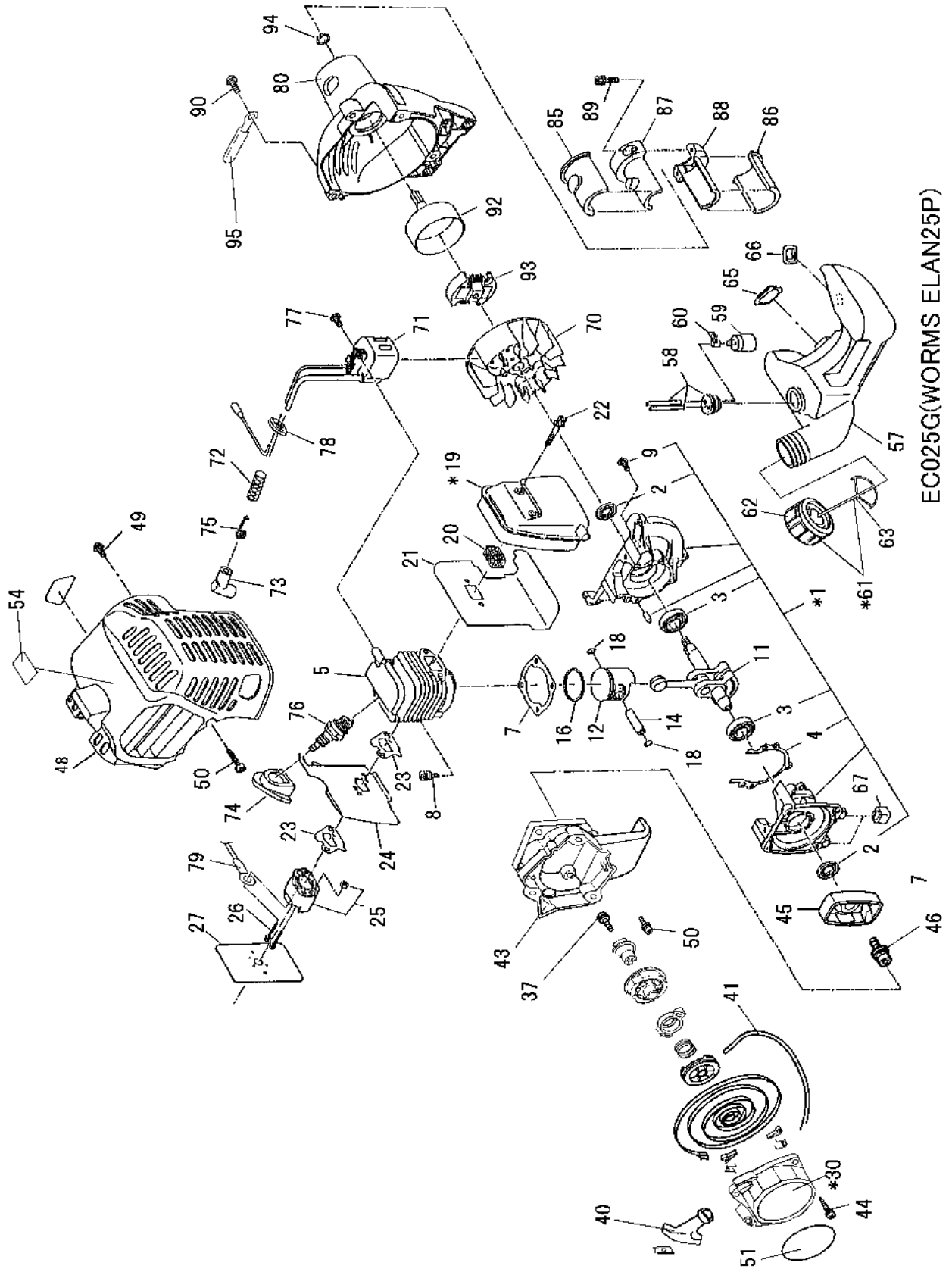
*35



WORMS ELAN25P

| REF No. | PARTS No. | PARTS NAME | Q'TY | REMARKS |
|---------|------------|--------------------|------|-----------|
| *35 | 6215028000 | CONTROL LEVER ASSY | 1 | Incl. 1~9 |
| 1 | 6195006030 | LEVER | 1 | |
| 2 | 6195023060 | LEVER | 1 | |
| 3 | 6195006050 | SPRING | 1 | |
| 4 | 6195006060 | TAPPING SCREW | 4 | 4*20 |
| 5 | 0119059720 | SOCKET HEAD BOLT | 2 | M5*20 |
| 6 | 6415011160 | NUT | 2 | M5 |
| *7 | 6215028020 | WIRE SET | 1 | Incl. 8 |
| 8 | 6215023020 | CONTROL CABLE | 1 | |
| 9 | 6195006150 | TOP | 1 | |

ENGINE BODY



EC025G(WORMS ELAN25P)

ELAN 25P (NB025A) PARTS LIST

CE SPEC.

ENGINE BODY

| REF No. | PARTS No. | PARTS NAME | Q'TY | REMARKS |
|---------|--------------|----------------------|------|-------------|
| *1 | 5231011001-2 | CRANKCASE ASSY | 1 | Incl. 2~4 |
| 2 | 0440129970 | OIL SEAL | 2 | |
| 3 | 0600129850 | BALL BEARING | 2 | #6001C3 |
| 4 | 5231502202 | GASKET,CRANKCASE | 1 | |
| 5 | 5231501804 | CYLINDER | 1 | |
| 7 | 5231502304 | GASKET,CYLINDER | 1 | |
| 8 | 0119059730 | SOCKET HEAD BOLT | 2 | M5*20 W,SW |
| 9 | 0140059520 | SCREW | 3 | M5*25 |
| 11 | 5252016000 | CRANKSHAFT COMPL | 1 | |
| 12 | 5252500800-1 | PISTON | 1 | |
| 14 | 5232502600 | PIN,PISTON | 1 | |
| 16 | 5242500701 | RING,PISTON | 1 | |
| 18 | 0565089970 | CLIP | 2 | |
| | | | | |
| 19 | 5253073000 | MUFFLER,EXHAUST | 1 | Incl. 20 |
| 20 | 5253033010 | SPARK ARRSTER | 1 | |
| | | | | |
| 21 | 5253503100 | GASKET,MUFFLER | 1 | |
| 22 | 0119059600 | SOCKET HEAD BOLT | 2 | M5*45 W |
| 23 | 5233503902 | GASKET,INSULATER | 2 | |
| 24 | 5233505201-1 | INSULATER,CARBURETOR | 1 | |
| 25 | 5423006000 | INSULATER COMPL | 1 | |
| 26 | 0140059500 | SCREW ASSEMBLY | 2 | M5*25W,SW |
| 27 | 5253500300 | SPACER,GASKET | 1 | |
| | | | | |
| *30 | 5255040001 | STARTER,REWIND ASSY | 1 | Incl. 37~41 |
| | | | | |
| 37 | 5255040120 | SET SCREW | 1 | |
| 40 | 5215002110 | STARTER KNOB | 1 | |
| 41 | 5255040160 | STARTER ROPE | 1 | |
| | | | | |
| 43 | 5255504700 | SPACER, STARTER | 1 | |
| 44 | 0150059800 | TAPPING SCREW | 3 | M5*18 |
| 45 | 5255041000 | PULLEY | 1 | |
| | | | | |
| 46 | 0119069730 | SOCKET HEAD BOLT | 1 | M6*14 |
| 48 | 5255505800 | COVER,CYLINDER | 1 | |
| 49 | 6601500500 | TAPPING SCREW | 1 | 5*14 |
| 50 | 0119059450 | SOCKET HEAD BOLT | 4 | M5*18W,SW |
| 51 | 6219534700 | LABEL MODEL | 1 | |
| 54 | 0736309940 | LABEL,SOUND LEVEL | 1 | 114dB |
| 57 | 5256501800-1 | TANK,FUEL | 1 | |
| 58 | 0851179961-1 | TUBE | 1 | |
| 59 | 5236503900 | FILTER | 1 | |

ELAN 25P (NB025A) PARTS LIST

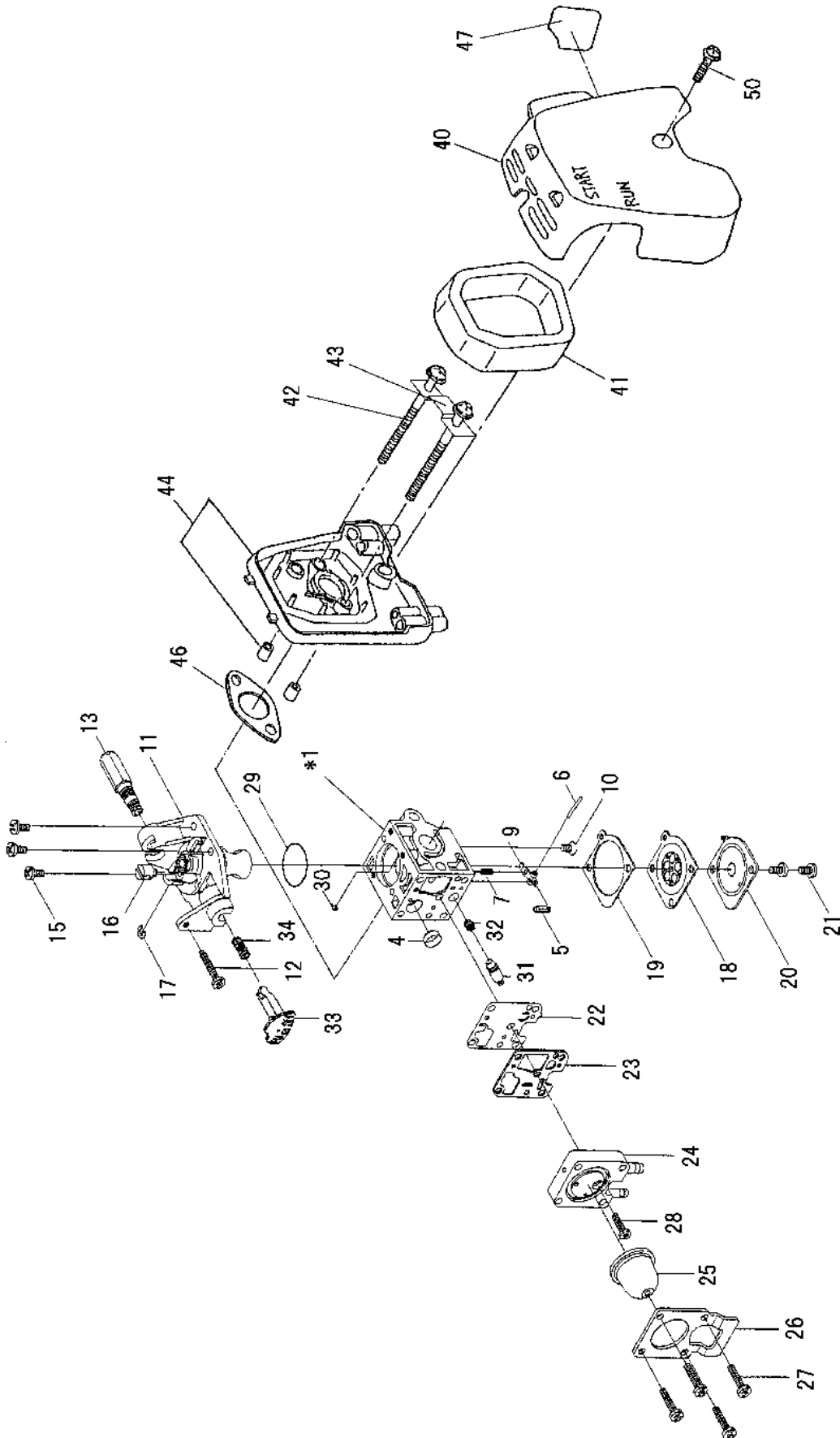
CE SPEC.

| REF No. | PARTS No. | PARTS NAME | Q'TY | REMARKS |
|---------|--------------|--------------------|------|-------------|
| 60 | 0561059990 | HOSE CLAMP | 1 | |
| *61 | 5256059000 | CAP,FUEL TANK ASSY | 1 | Incl. 62,63 |
| 62 | 5256058000 | CAP,FUEL TANK ASSY | 1 | |
| 63 | 5256067000 | STRAP ASSY | 1 | |
| 65 | 5036500200-1 | PLATE | 1 | |
| 66 | 5036500300-1 | PLATE | 1 | |
| 67 | 5216500200 | DAMPER | 2 | |
| 70 | 5237034014 | FLYWHEEL | 1 | |
| 71 | 5257027011 | COIL | 1 | |
| 72 | 0851069920 | TUBE | 1 | L=60 |
| 73 | 0655009870 | CAP,PLUG | 1 | |
| 74 | 5197500100 | COVER,PLUG CAP | 1 | |
| 75 | 0654009931 | SPRING,PLUG CAP | 1 | |
| 76 | 0650149721 | PLUG,SPARK | 1 | BMR7A |
| 77 | 0140049920 | SCREW | 2 | M4*20 W,SW |
| 78 | 5237503202 | GROMMET | 1 | |
| 79 | 6165500201 | WIRE | 1 | |
| 80 | 6251047001 | CASE,CLUTCH COMPL | 1 | Brack |
| 85 | 6251506604 | DAMPER,PIPE 1 | 1 | |
| 86 | 6251506703 | DAMPER,PIPE 2 | 1 | |
| 87 | 6251509500 | BRACKET,PIPE 1 | 1 | |
| 88 | 6251509600 | BRACKET,PIPE 2 | 1 | |
| 89 | 0119059950 | SOCKET HEAD BOLT | 2 | M5*18 SW |
| 90 | 0140059700 | SCREW | 3 | M5*20 W,SW |
| 92 | 6252014002-1 | DRUM,CLUTCH COMPL | 1 | |
| 93 | 6162005002 | CLUTCH | 1 | |
| 94 | 0031512000 | SNAPRING,OUTER | 1 | φ 12 |
| 95 | 0566059980 | CLAMP | 1 | |

ELAN 25P (NB025A) PARTS LIST

CE SPEC.

CARBURETOR & AIR CLEANER



EC025G(WORMS ELAN25P)

ELAN 25P (NB025A) PARTS LIST

CE SPEC.

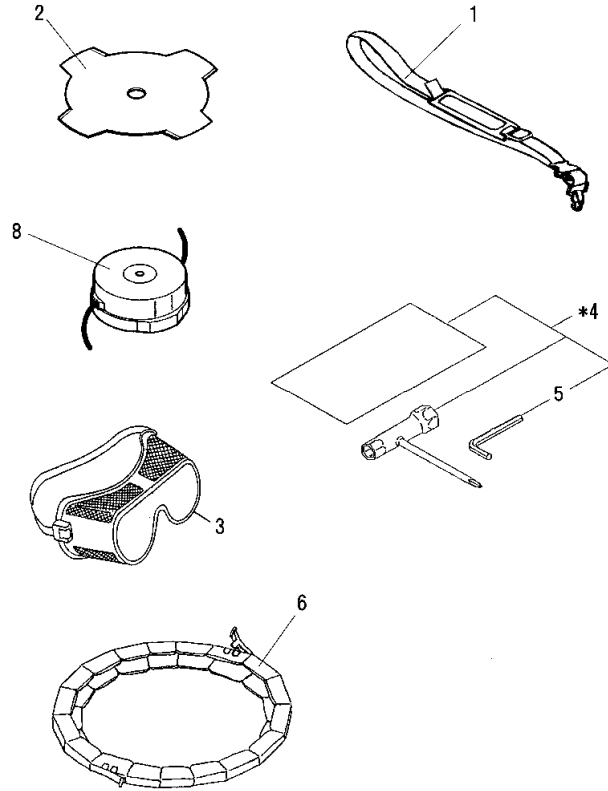
CARBURETOR & AIR CLEANER

| REF No. | PARTS No. | PARTS NAME | Q'TY | REMARKS |
|---------|--------------|-------------------------|------|------------------|
| *1 | 5256069000 | CARBURETOR | 1 | Incl. 4~34 |
| 4 | 5256069010 | STRAINER | 1 | |
| 5 | 5416043210 | VALVE,INLET | 1 | |
| 6 | 5416043240 | PIN | 1 | |
| 7 | 5416043220 | SPRING,METERING | 1 | |
| 9 | 5416043230 | LEVER,METERING | 1 | |
| 10 | 5256069020 | SCREW | 1 | |
| 11 | 5256069030 | COVER ASS'Y, ROTOR | 1 | |
| 12 | 5256069040 | TAS | 1 | |
| 13 | 5256070020 | SCREW,WIRE ADJUST | 1 | |
| 14 | 5256069060 | NUT,CABLE | 1 | |
| 15 | 5256069110 | SCREW(FOR COVER) | 3 | |
| 16 | 5256069120 | POST | 1 | |
| 17 | 5256069130 | E-RING | 1 | |
| 18 | 5256069140 | DIAPHRAGM ASSY METERING | 1 | |
| 19 | 5256069150 | GASKET,METERING | 1 | |
| 20 | 5256069160 | COVER,METERING | 1 | |
| 21 | 5256069210 | SCREW | 2 | |
| 22 | 5256069220 | DIAPHRAGM,PUMP | 1 | |
| 23 | 5256069230 | GASKET,PUMP | 1 | |
| 24 | 5256069240 | BASE,ASSY PRIMER | 1 | |
| 25 | 5416043510 | SYRINGE | 1 | |
| 26 | 5256069250 | RETAINER | 1 | |
| 27 | 5256069260 | SCREW | 4 | |
| 28 | 5256069310 | SCREW(FOR BASE PRIMER) | 1 | |
| 29 | 5256069320 | O-RING(FOR COVER ROTOR) | 1 | |
| 30 | 5256069330 | ROLLER,GUIDE PIN | 1 | |
| 31 | 5256069340 | PLUG,KIT | 1 | |
| 32 | 5256069350 | JET,REMOTE | 1 | |
| 33 | 5256069360 | ROD STARTER | 1 | |
| 34 | 5256069410 | SPRING | 1 | |
| 40 | 5253502600-1 | CASE,AIR CLEANER | 1 | |
| 41 | 5233504700 | ELEMENT,AIR CLEANER | 1 | |
| 42 | 0140059470 | SCREW | 2 | M5*62 |
| 43 | 5013502400 | PLATE,AIR CLEANER | 1 | |
| 44 | 5253021000-1 | PLATE,CLEANER COMPL | 1 | |
| 46 | 5233504200 | GASKET,CARBURETOR | 1 | |
| 47 | 0736259890 | LABEL | 1 | CHOKE |
| 50 | 0140059480 | SCREW ASSEMBLY | 1 | M5*14 W,SW BLACK |

ELAN 25P (NB025A) PARTS LIST

CE SPEC.

STANDARD ACCESSORY



NB025(WORMS ELAN25P)

| REF No. | PARTS No. | PARTS NAME | Q'TY | REMARKS |
|---------|--------------|---------------------|------|-------------------|
| 1 | 6197003001 | BAND ASSY | 1 | |
| 2 | 6258507600 | CUTTER | 1 | 9in 4-Teeth blade |
| 3 | 6029015000 | PROTECTOR | 1 | |
| *4 | 6119019001 | TOOL | 1 | Incl. 5 |
| 5 | 0717049990 | WRENCH, SOCKET HEAD | 1 | M5 |
| 6 | 6418500701 | COVER, CUTTER | 1 | |
| | | | | |
| 8 | 6218020001-1 | CUTTER ASSY | 1 | |